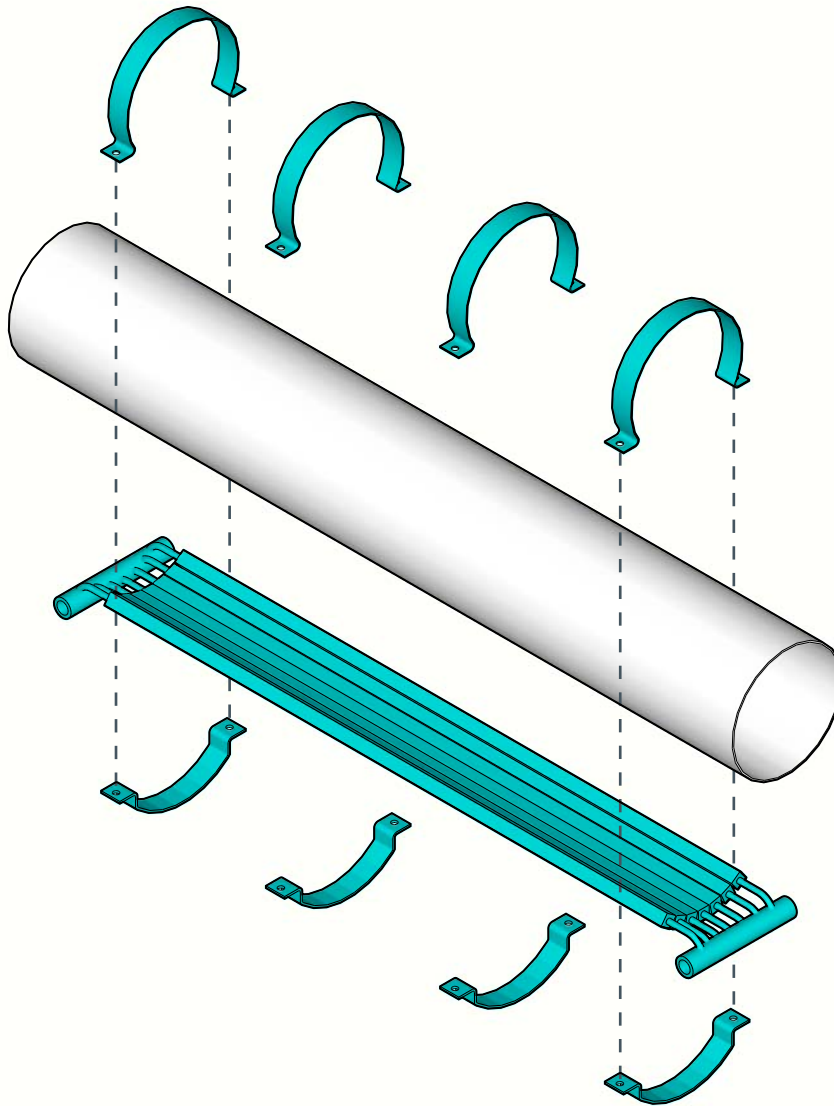


B1000 HEAT EXCHANGER



B1000 Heat Exchanger is a heat exchanger that recapture heat from waste water, making sure less energy leaves the building everyday

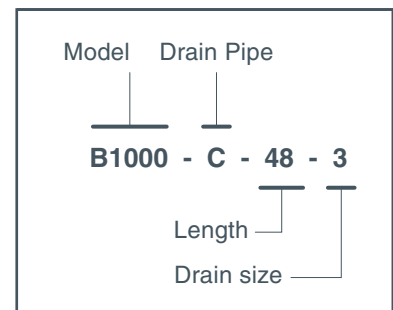
Available as a complete unit and also as a heat exchange kit to be attached to an existing cast iron drain pipes

*For retrofit on cast iron pipes

Materials and dimensions options

Model	Drain Pipe	Length (A)	Drain diameter size (B)	
B1000	C Copper	48 inches	3 inches	8 inches
	K* Kit	96 inches	4 inches	10 inches
	SS Stainless		5 inches	12 inches
				6 inches

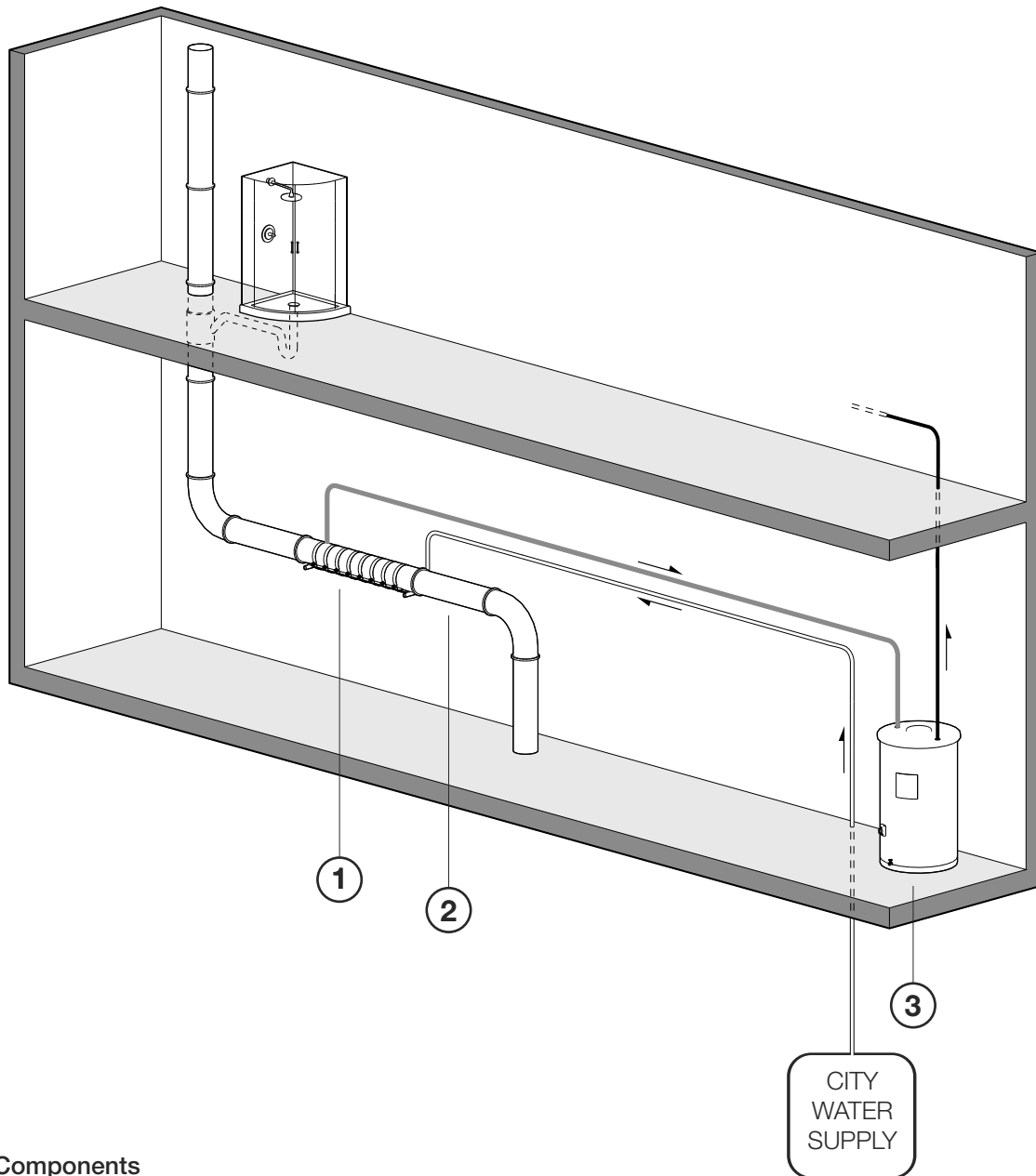
How to specify



B1000 HEAT EXCHANGER

PASSIVE HEAT INSTALLATION

Cold incoming supply water, on its way to the water heater, will get preheated by outgoing waste water.



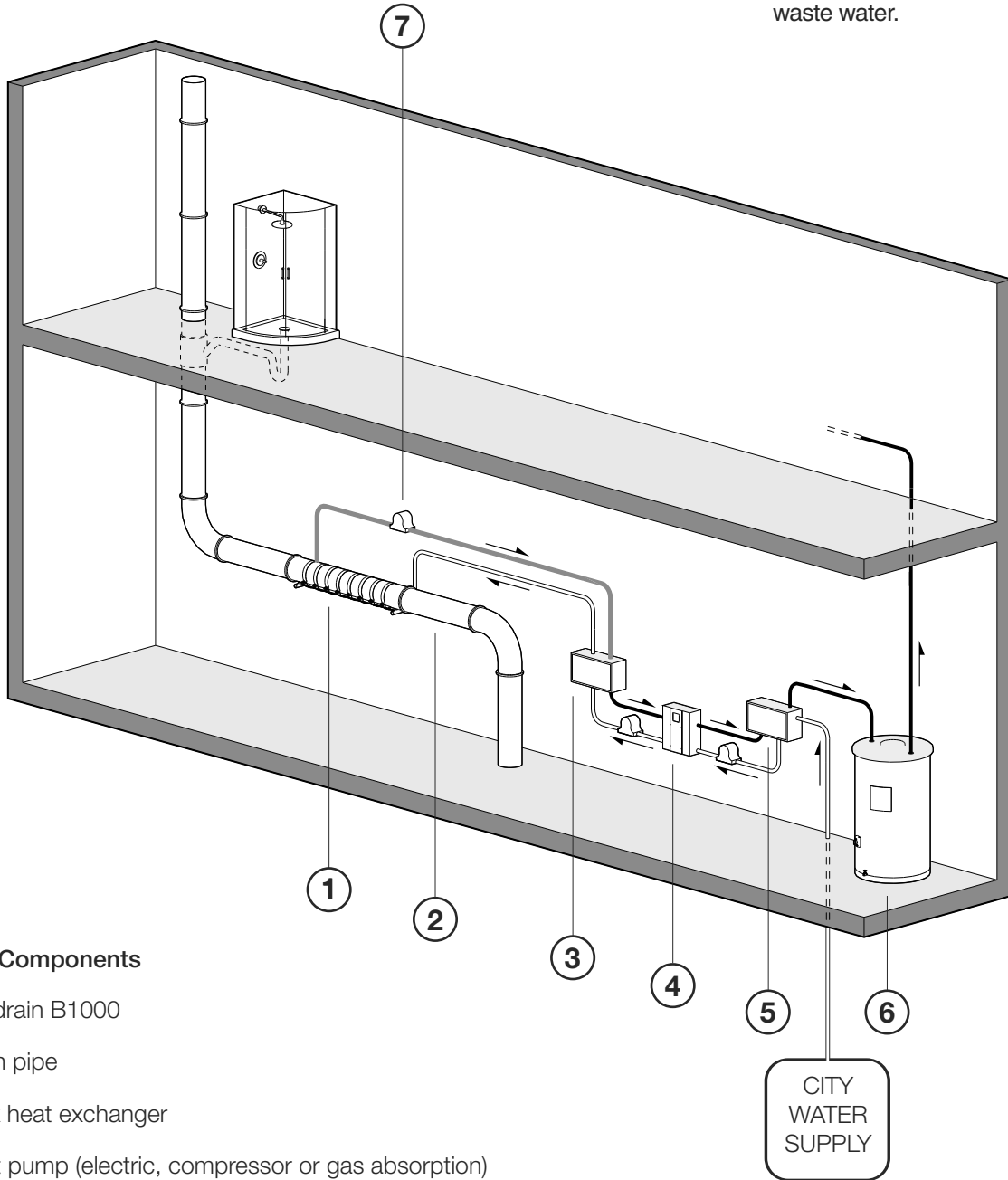
System Components

- ① Ecodrain B1000
- ② Drain pipe
- ③ Water Heater

B1000 HEAT EXCHANGER

ACTIVE HEAT INSTALLATION

A heat pump is used to actively pump heat from waste water to incoming supply water. Incoming cold water can be preheated above temperature of outgoing waste water.



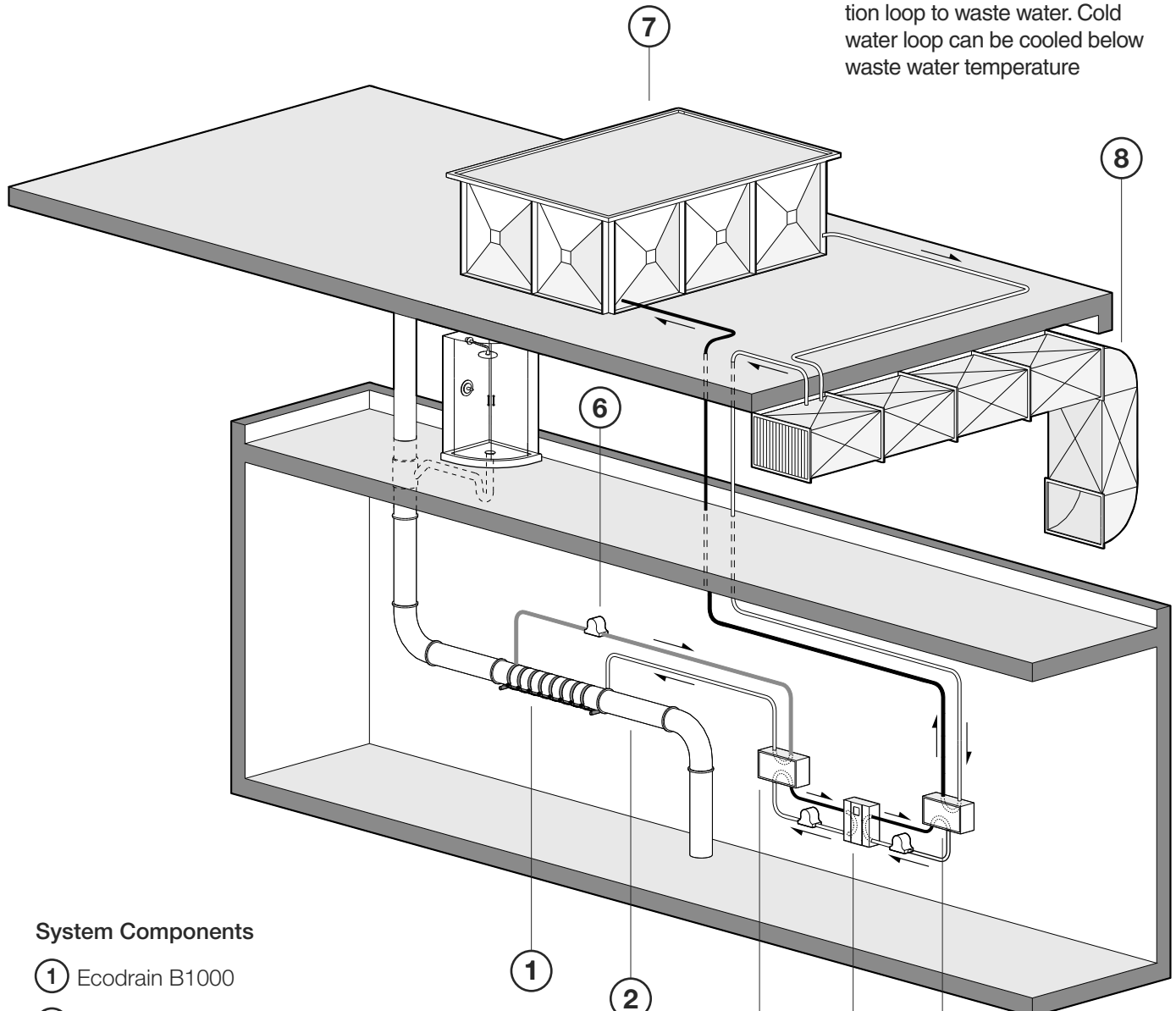
System Components

- ① Ecodrain B1000
- ② Drain pipe
- ③ Tank heat exchanger
- ④ Heat pump (electric, compressor or gas absorption)
- ⑤ Tank heat exchanger
- ⑥ Water heater
- ⑦ Recirculation Pump

B1000 HEAT EXCHANGER

COOLING WITH A HEAT PUMP INSTALLATION

Active cooling uses a heat pump to transit hot water from recirculation loop to waste water. Cold water loop can be cooled below waste water temperature

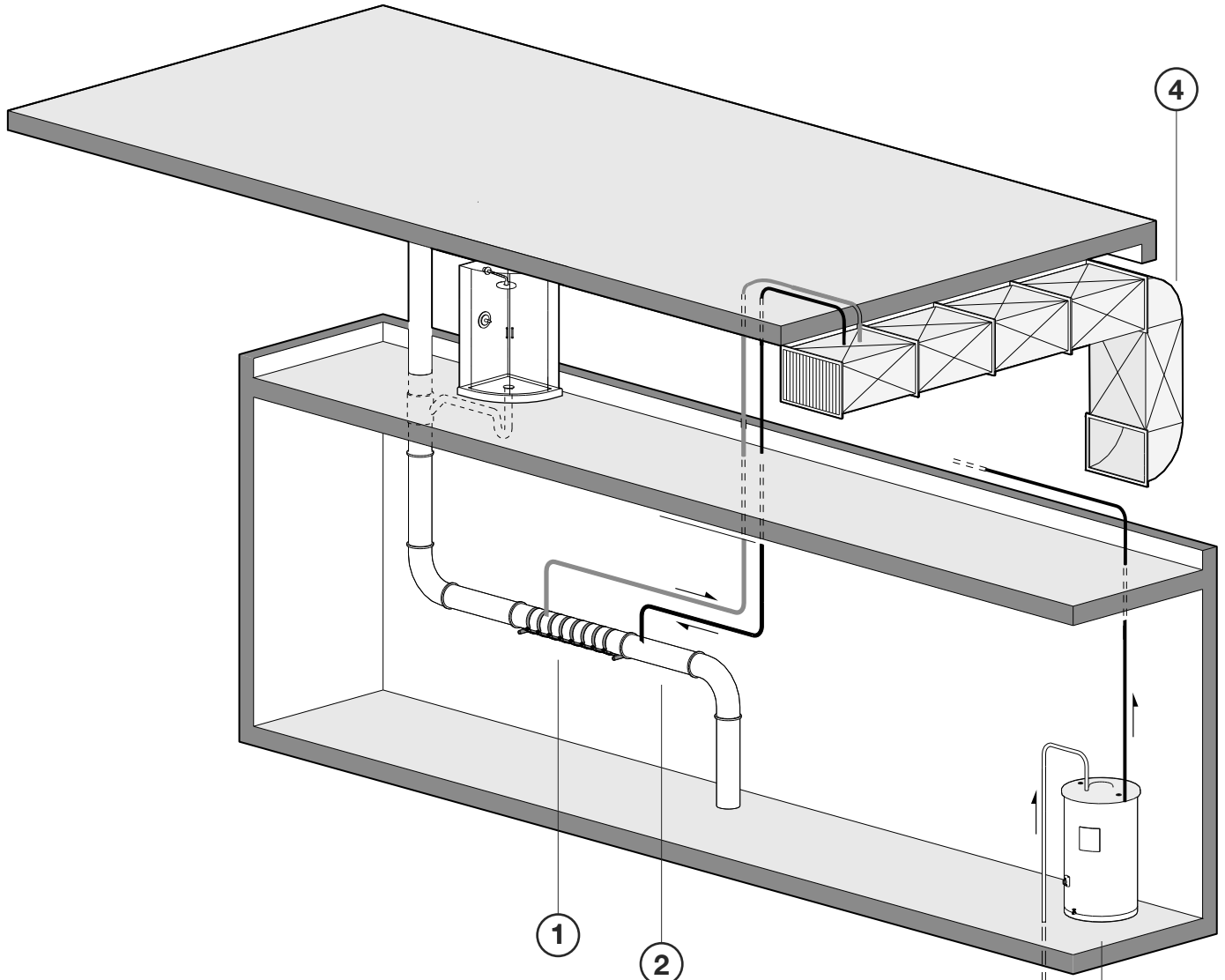


System Components

- ① Ecodrain B1000
- ② Drain pipe
- ③ Tank heat exchanger
- ④ Heat pump (electric, compressor or gas absorption)
- ⑤ Tank heat exchanger
- ⑥ Recirculation Pump
- ⑦ Chiller
- ⑧ Air conditioning duct work or fan coil

B1000 HEAT EXCHANGER

PASSIVE COOLING INSTALLATION



System Components

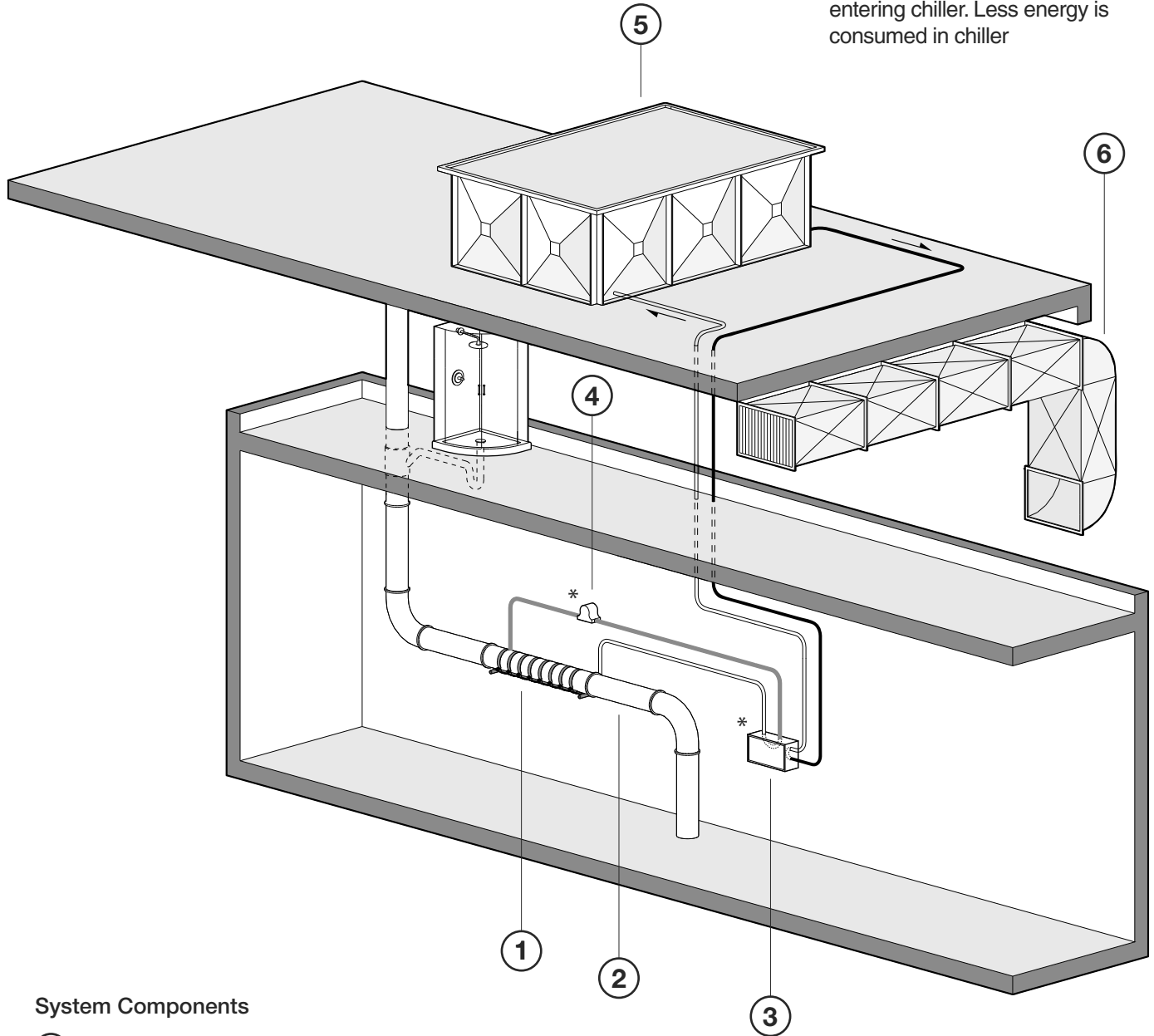
- ① Ecodrain B1000
- ② Drain pipe
- ③ Water heater
- ④ Air conditioning duct work or fan coil

CITY
WATER
SUPPLY

B1000 HEAT EXCHANGER

PRE COOLING INSTALLATION

Chiller water loop - water is pre-cooled by waste water before entering chiller. Less energy is consumed in chiller



System Components

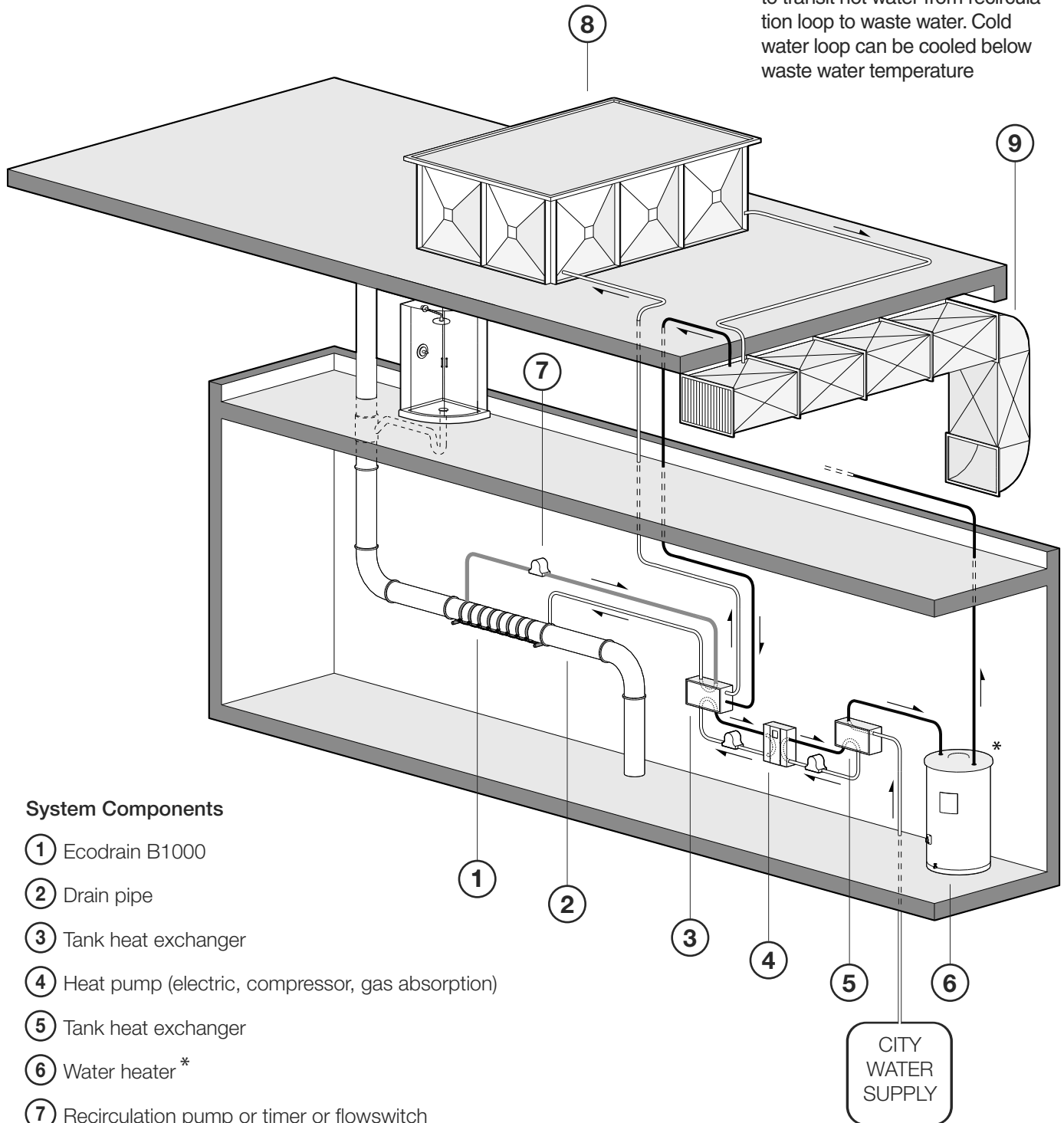
- ① Ecodrain B1000
- ② Drain pipe
- ③ Tank heat exchanger*
- ④ Recirculation pump with Timer or Flowswitch*
- ⑤ Chiller
- ⑥ Air conditioning duct work or fan coil

*Optional equipment to accommodate variable drain flow rate

B1000 HEAT EXCHANGER

ACTIVE HEATING AND COOLING LOAD INSTALLATION

Active cooling using a heat pump to transit hot water from recirculation loop to waste water. Cold water loop can be cooled below waste water temperature



System Components

- ① Ecodrain B1000
- ② Drain pipe
- ③ Tank heat exchanger
- ④ Heat pump (electric, compressor, gas absorption)
- ⑤ Tank heat exchanger
- ⑥ Water heater *
- ⑦ Recirculation pump or timer or flowswitch
- ⑧ Chiller
- ⑨ Air conditioning duct work or fan coil

CITY
WATER
SUPPLY

*Required only if water is required in greater volume or temperature than supplied by heat pump. Consult company for details.